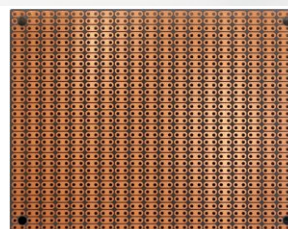
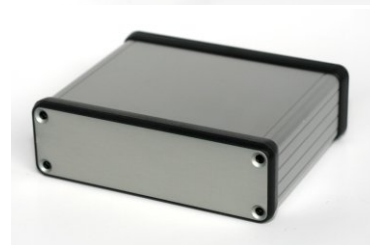
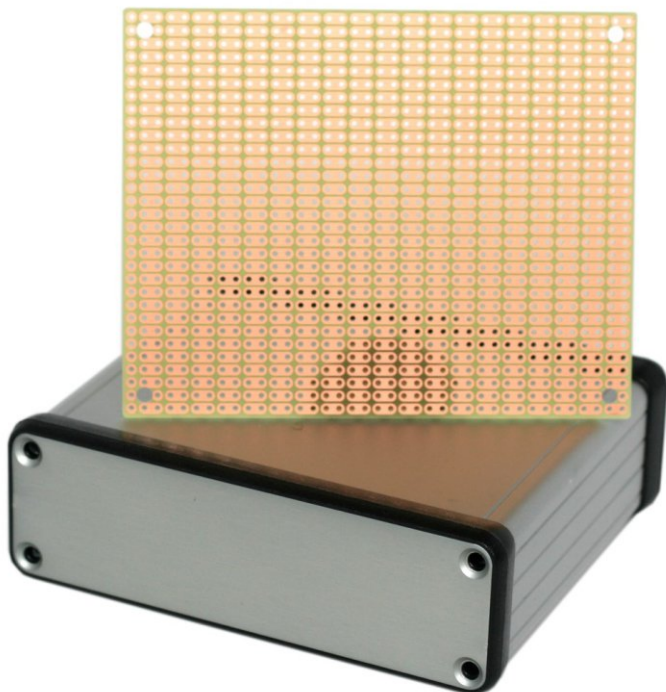


## PR2H2 ProtoBoard Box2 Kit

A BOX2-1455L extruded aluminum enclosure with a PR2H2 2-hole per strip ProtoBoard.



### AVAILABLE STYLES:

**SILVER BOX**

PART#: KBOX2-AL-SV-PR2H

**BLACK BOX**

PART#: KBOX2-AL-BK-PR2H

### Enclosure Features:

- Box is anodized extruded aluminum with end plates anodized to match and polycarbonate plastic bezels.
- Available in four colors.
- Box Size 4.18 x 3.42 x 1.2 inches (106 x 87 x 30.5 mm).
- 5 built-in card guides for Size 2 PCBs (100 x 80mm).
- Screws and self adhesive rubber feet included.
- Slide out top panel plate
- Rugged body constructed from extruded aluminum with a minimum thickness of .06" (1.5 mm).

### PCB Features:

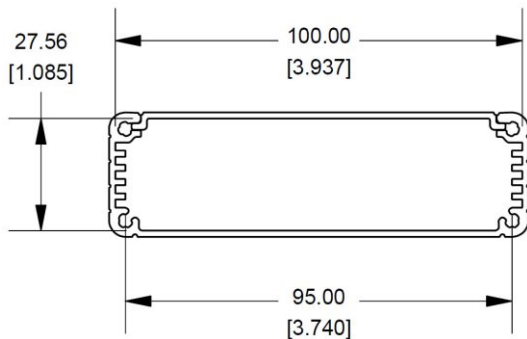
- Convenient 2-hole ProtoBoard pattern provides an easy way to connect parts.
- High-quality single-sided FR4 glass-epoxy circuit board
- 1oz/ft<sup>2</sup> copper with an anti-tarnish coating for easy soldering. Lead free and RoHS compliant.
- 31 x 19 holes, 0.037" holes are drilled on 0.1" (2.54mm) centers. Four 0.125" mounting holes.
- Size 2 = 100 x 80mm (3.94 x 3.15").
- 1/16" (1.6mm) thick.



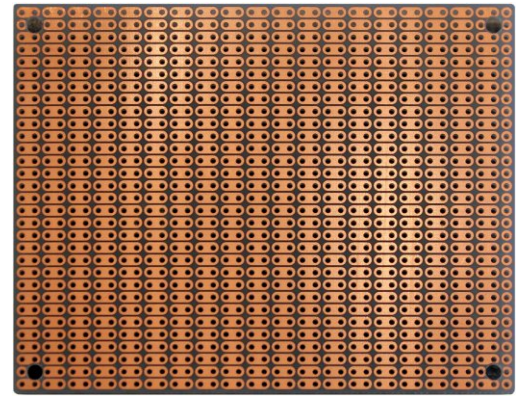
## Details (BOX2-1455L)

The BOX2-1455L is an extruded aluminum enclosure for electronic projects. The enclosure is designed for BusBoard Prototype Systems Size 2 prototype PCBs (100 x 80mm boards).

The PC boards mount horizontally by sliding into 5 built-in card guide slots. Two aluminum end panels are provided with attractive plastic bezels to hide the seams. The screws are recessed flathead type to provide a flat surface. The aluminum is anodized for protection from the elements. The end panels and the top plate can be removed for easy drilling or cutting of holes. Screws and adhesive rubber feet are included.



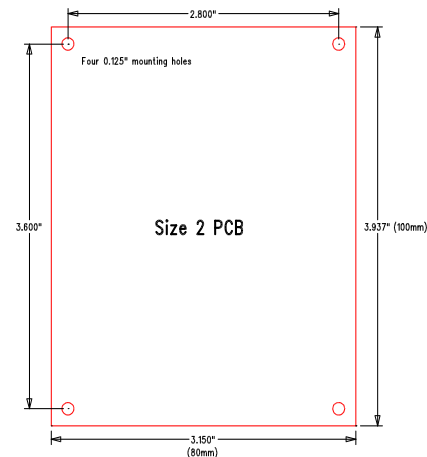
**RoHS COMPATIBLE** **SIZE 2** 3.42" (87mm) 4.18" (106mm) 1.2" (30.5mm)



## Details (PR2H2)

The ProtoBoard-2H-2 prototyping circuit board has 2-hole pre-cut strips. The convenient 2-hole ProtoBoard pattern provides an easy way to connect parts while maximizing usable board area.

ProtoBoard-2H is a good pattern for compact circuit layouts, and it is often more convenient than pad-per-hole patterns. It is good for analog use as well as digital since many discrete components can be located closely. It is a single-sided board with holes on 0.1" centers. An anti-tarnish coating protects the copper for a long shelf-life and provides easy soldering.



**RoHS COMPATIBLE** **SIZE 2** 3.15" (80mm) 3.94" (100mm) 1/16" (1.6mm)